

Audi Vorsprung durch Technik

The all-new Audi Q5



[f audiindia](#) [t AudiIN](#) [s audiindia](#) [@ AudiIN](#) | [audi.in](#) | [myAudi.in](#)

AUDI INDIA
Division of Volkswagen
Group Sales India Private Limited
Mumbai-India
[www.audi.in](#)
Valid from January, 2018

Printed in India

The model and equipment versions illustrated and described in this brochure and some of the services listed are not available in all countries. Some of the cars illustrated are equipped with optional features for which an extra charge is made. Details concerning the delivery specifications, appearance, performance, dimensions and weights, fuel consumption and running costs of the vehicle were correct to the best of our knowledge at the time of going to press. Deviations from the colours and shapes shown in the illustrations may occur. No liability is accepted for errors and printing errors. The right to introduce modifications is reserved. Not to be reproduced, including in part, without the written approval of AUDI AG.





Now Is Calling

*City
country
forest
road
bend
motorway
weekend
family
holidays
beach,
life holds endless
possibilities.
Experience them.
In the new Audi Q5.*



Curve after curve

quattro

Ready for almost every terrain. The quattro all-wheel drive system. An intelligent operating strategy ensures that your Q5 is efficient, dynamic and safe - with the familiar level of traction. Impressively providing a balanced distribution of drive forces in a wide range of road conditions.



Some equipment is optional please contact your nearest Audi dealership for details.



Cushy

Modify the vehicle's character: to make it more efficient, comfortable or dynamic. But always thoroughly individual.



Audi drive select

Adjustment of the vehicle's characteristics with different modes: Comfort, Dynamic, Individual, Auto and Off-road.

Some equipment is optional please contact your nearest Audi dealership for details. Images are for representation purpose only.



Summer.



Audi LED headlights
Striking, distinctive light signature in a day and night design. The Audi LED headlights allow precise, near daylight illumination for more safety and comfort, low power consumption and a long service life.



Some equipment is optional please contact your nearest Audi dealership for details. Images are for representation purpose only.



Centre stage
The interior of the new Audi Q5 is geared towards the driver and offers plenty of room for customising, thanks to the longer wheelbase. Both front seats are electrically adjustable with a memory function for the driver seat. The adjustment options also include two presets for the driver seat. The presets also extend to the exterior mirrors.

Plush

Some equipment is optional please contact your nearest Audi dealership for details. Images are for representation purpose only.

Rollick

Virtual cockpit

The Audi virtual cockpit makes progress visible. The fully digital instrument cluster with high-resolution 31.3 cm screen displays a wide range of information – from speed and navigation to communication – you choose from numerous display options.



A blue Audi Q5 is shown from a rear perspective, driving on a modern cable-stayed bridge. The sun is setting in the background, creating a warm, golden glow and long shadows. The city skyline is visible in the distance. The car's rear features the Audi logo, 'Q5' badge, and a license plate that reads 'D IN Q 5072'.

Now Is Calling

Some equipment is optional please contact your nearest Audi dealership for details. Images are for representation purpose only.

MMI navigation plus

The large, slim 21.1 cm colour display in the MMI navigation plus offers impressive clarity and a straightforward operating concept. So that you are well informed in no time at all. Navigation, radio or phone – fewer buttons, more functions. Quickly, intuitively and on request with MMI touch. Control everything via touch and voice control. The Audi smartphone interface integrates selected mobile phone content into your Audi.

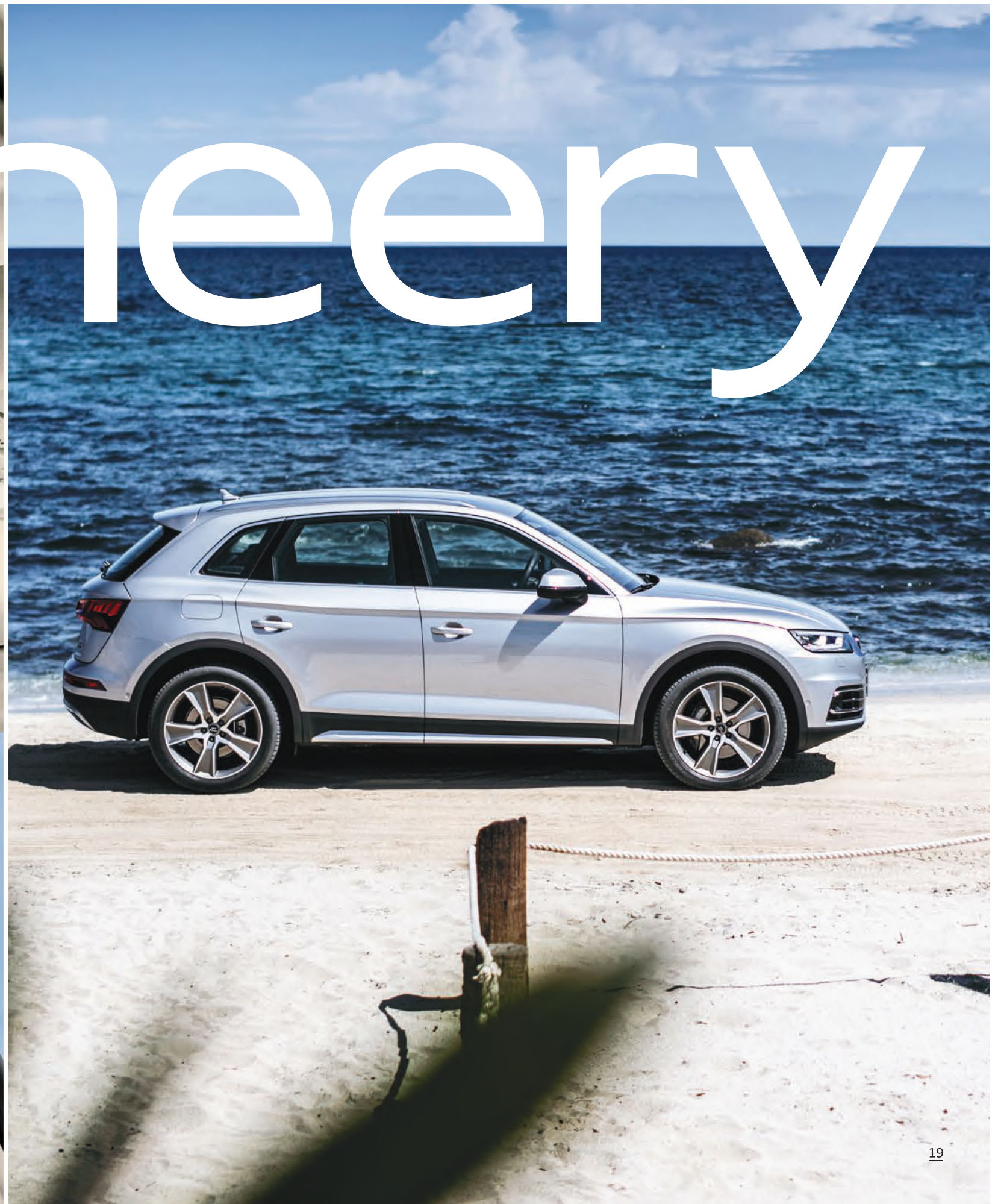
Jeeves





Panoramic sunroof
Big on light. Electrical activation to raise and open the front glass section; tinted glass insert. Also, the integrated wind deflector reduces wind noise when the roof is open.

cheery



Some equipment is optional please contact your nearest Audi dealership for details.



More room
The new Audi Q5 impresses with a longer wheelbase, more space and practical storage options. The standard luggage compartment roller cover and the optional luggage compartment mat allow you to adapt the luggage compartment exactly to your requirement. Even the luggage space is variable: the optional rear seat bench plus allows you to turn 550 l into 610 l in no time at all. With the aid of the remote backrest release and the foldable rear seat backrests, the capacity can be more than doubled, very quickly.



S'more

Some equipment is optional please contact your nearest Audi dealership for details.

A blue Audi Q5 is shown from a rear three-quarter view, driving on a winding road. The car is in motion, with a blurred background of a lake and mountains under a cloudy sky. The license plate reads 'IN 5052'.

Now It's Calling

Swingtime

Powerful look
Select the paint colour that best suits your personality. Rest assured that the quality will be super fine, because your vehicle is painted not just once, but four times. So not only do you look radiant in your Audi, your car is also protected from environmental influences and wear. Ensuring that the car maintains a powerful look throughout its entire lifetime.



Mythos black, metallic

Ibis White, solid

Navarra Blue, metallic

Floret silver, metallic

Monsoon Grey, metallic

Some equipment is optional please contact your nearest Audi dealership for details.

Loungin'

Upholstery

With leather and leatherette upholstery and trim options, you have a special place in your Audi. Exclusive comfort in the front and rear seats: thanks to high-quality materials and first-class workmanship. No matter which seat upholstery you choose, you're sitting in the right place.

Some equipment is optional please contact your nearest Audi dealership for details. Images are for representation purpose only.

Atlas beige

Black

Coasting



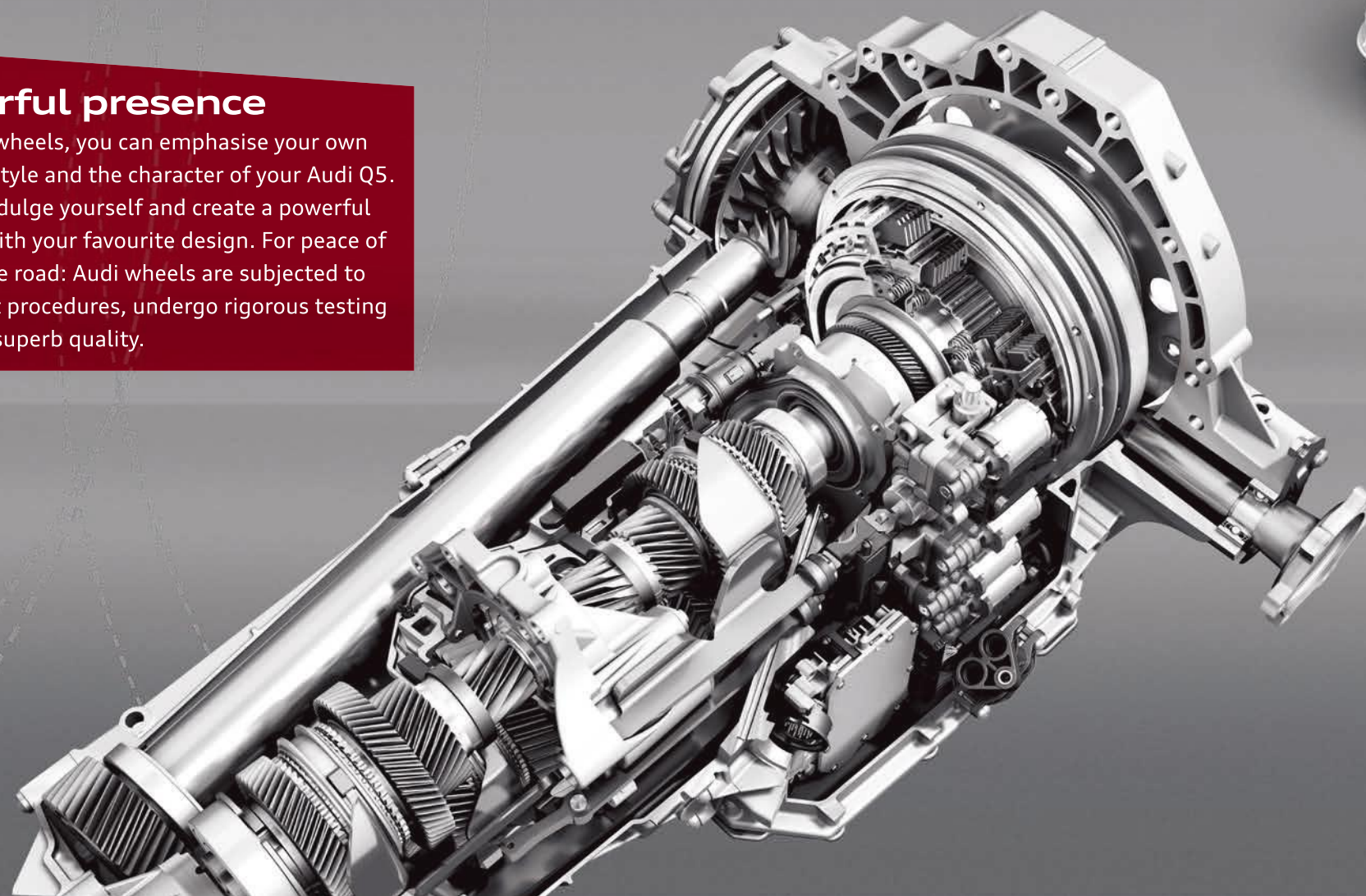
45.7 cm cast aluminium wheels in 5-twin-spoke dynamic design

Powerful presence

With Audi wheels, you can emphasise your own individual style and the character of your Audi Q5. Why not indulge yourself and create a powerful presence with your favourite design. For peace of mind on the road: Audi wheels are subjected to special test procedures, undergo rigorous testing and are of superb quality.

2.0 TDI quattro

Audi TDI engines: high torque output over the entire engine speed range – with constant power build-up. They are renowned for being fuel efficient and for reducing emissions. The 2.0 TDI quattro, has a power output of 140 kW, a top speed of 218 km/h and accelerates from 0 to 100 km/h in 7.9 seconds.



Transmission

The S tronic combines the sporty characteristics of a manual gearbox with the advantages of an automatic. Gear-changes with the dual-clutch gearbox are performed easily and with no appreciable delay. It reduces fuel consumption and improves efficiency to a great extent.

Some equipment is optional please contact your nearest Audi dealership for details.

Model

Engine Type

Displacement in cc

Max Output in hp/kW at rpm

Max. torque in Nm at rpm

Power transmission

Drive Type

Wheels

Tyres

Transmission Type

Weights/capacities

Kerb Weight in Kg

Gross vehicle weight in Kg

Fuel tank capacity, approx in l

Performance/Consumption

Top Speed in Km/h

Acceleration 0-100 km/h in s

Fuel Grade

Fuel Consumption* in km/l

ARAI Certified

Audi Q5 35 TDI

2.0 TDI

1968

190/140@ 3800 - 4000

400 @ 1750 - 3000

quattro permanent all-wheel drive

45.72 (18") Cast Aluminum Alloy Wheels

235/60 R18

7-speed S tronic

1990

2440

70

218

7.9

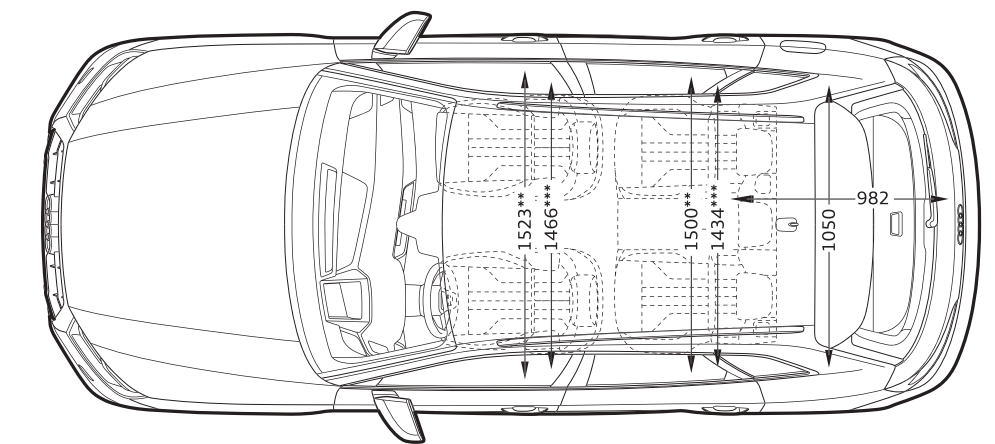
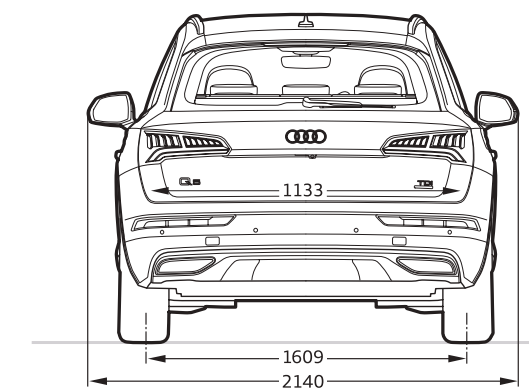
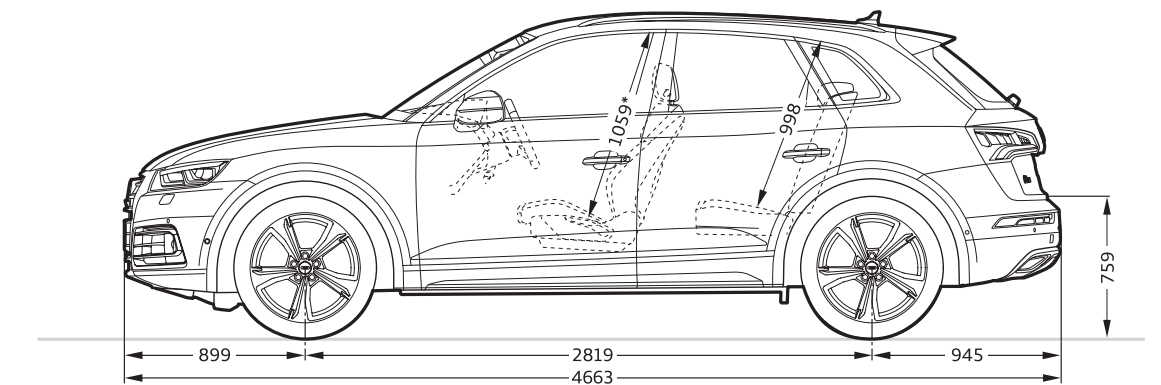
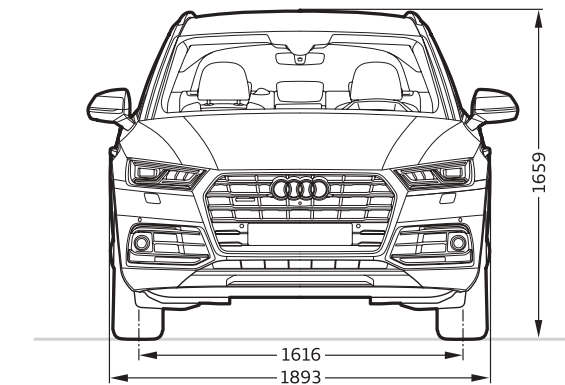
Diesel

17.01

Audi Q5

Dimensions in mm

Dimensions are for unladen vehicle weight. Luggage compartment volume: 550/610/1,550 l (second value with optionally movable rear seat bench and bench moved as far forward as possible; third value with rear backrest folded down and loaded up to the parcel shelf). Turning circle approx. 11.7m.
*Maximum headroom. **Elbow room width. ***Shoulder room width.



Some equipment is optional please contact your nearest Audi dealership for details.

