



Sheer
Driving Pleasure

04 2018 BMW India Pvt. Ltd. Printed in India 2018.



Sheer
Driving Pleasure



THE ALL-NEW BMW X3. ON A MISSION.

For more information, call 1800 102 2269.

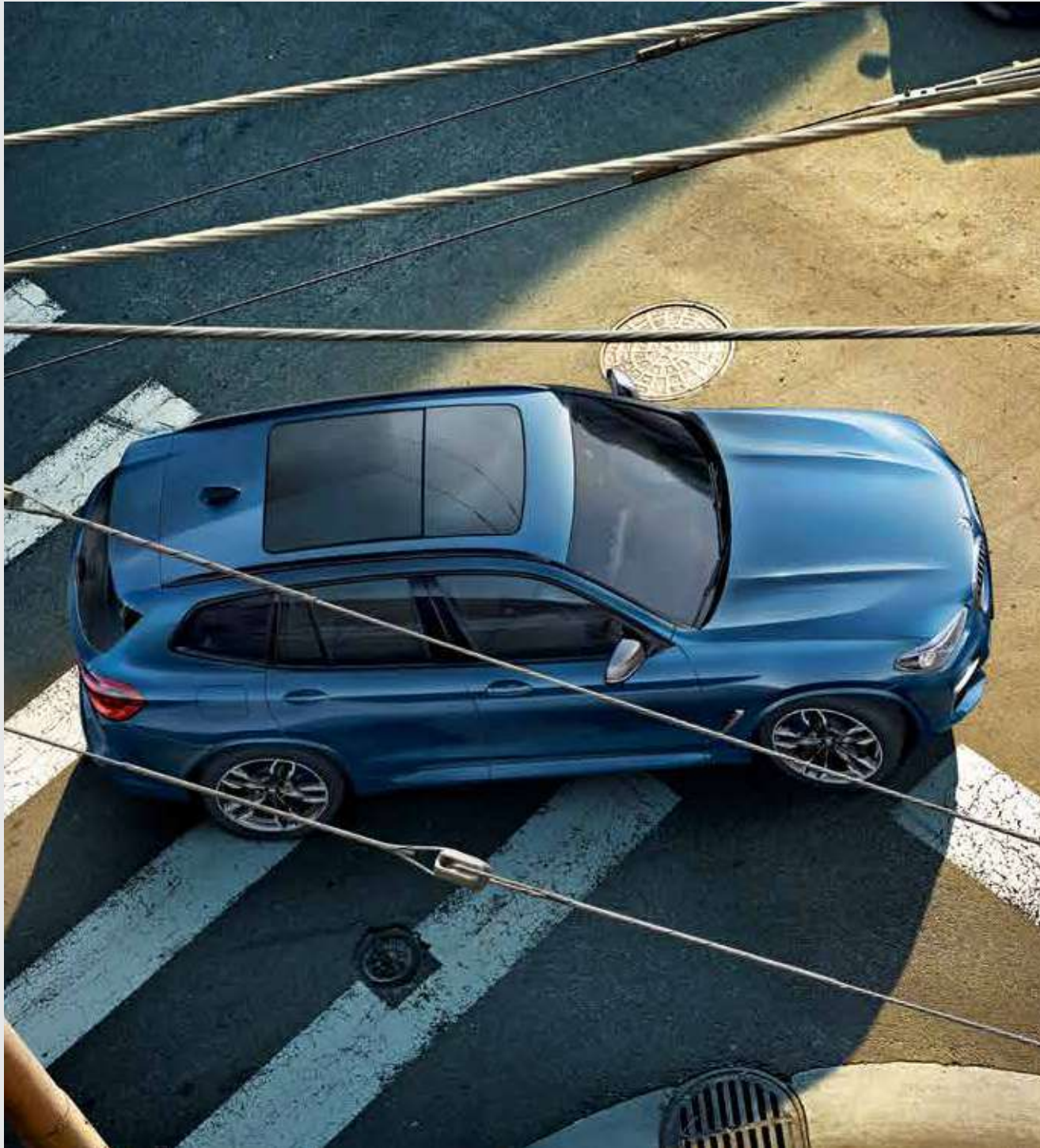
The models, equipment and possible vehicle configurations illustrated in this brochure may differ from vehicles supplied in the Indian market. For precise information, please contact your local Authorised BMW Dealer. Subject to change in design and equipment. © BMW India Pvt. Ltd., Gurgaon, India. Not to be reproduced wholly or in part without written permission of BMW India Pvt. Ltd., Gurgaon, India. [f/bmwindia](#) [YouTube/bmwindia](#) [t/bmwindia](#)

BMW EFFICIENTDYNAMICS.
LESS EMISSIONS. MORE DRIVING PLEASURE.

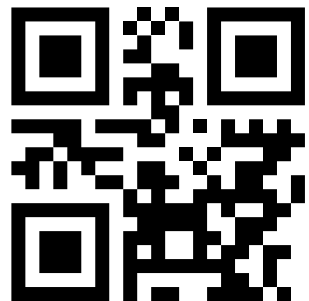
THE NEXT
100 YEARS



THE ALL-NEW BMW X3.



DISCOVER MORE.



Scan the code to get more information,
more driving pleasure on the all-new BMW X3.

INNOVATION AND TECHNOLOGY.



15 BMW EfficientDynamics



17 BMW ConnectedDrive



19 Suspension and Safety

EQUIPMENT.



21 Models and Lines



25 Equipment Highlights



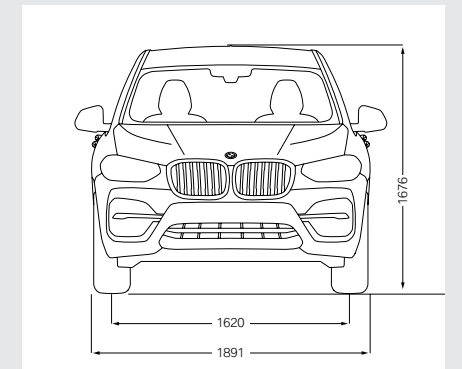
29 Original BMW Accessories



37 Exterior Colours



38 Interior Colours



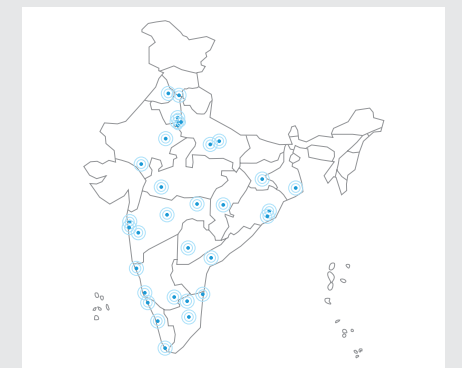
39 Dimensions



41 BMW Service



42 BMW Financial Services



43 BMW Dealership Network

FOR ALL WHO WANT IT ALL.



THREE-DIMENSIONAL ACTIVE AIR STEAM KIDNEY GRILLE
|| FULLY ADAPTIVE LED HEADLAMPS || AIR BREATHER IN CHROME
DESIGN ELEMENT || 19" LIGHT ALLOY WHEELS





MAKE THE BREAK.



OPTIMALLY BALANCED VEHICLE BODY II BROAD SHOULDERS II FLAT ROOFLINE
II CHROME TAILPIPES II SCULPTURAL FULL LED REAR LIGHTS



ANYWHERE. ANYTIME. ON YOUR TERMS.



ROBUST, REFINED EXTERIOR DESIGN II POWERFUL PROPORTIONS II PRONOUNCED
HORIZONTAL SHOULDERLINE II ELEGANTLY SPORTY SURFACES II ELONGATED BONNET
II LONG WHEELBASE II SHORT OVERHANGS II PANORAMIC SUNROOF



HIGHLY POLISHED, EVEN IN THE MUD.



BMW TWINPOWER TURBO IN-LINE 4-CYLINDER DIESEL ENGINE || 8-SPEED STEPTRONIC
TRANSMISSION || 50:50 AXLE LOAD DISTRIBUTION || OPTIMAL AERODYNAMICS
|| INTELLIGENT ALL-WHEEL DRIVE MANAGEMENT SYSTEM



SO INDEPENDENT. SO CONNECTED.



10.25" CONTROL DISPLAY WITH TOUCH FUNCTION* || NEW AND PERSONALLY ADAPTABLE USER INTERFACE || MULTIFUNCTION INSTRUMENT DISPLAY || REAR-VIEW CAMERA WITH PARK ASSIST || WIRELESS CHARGING || BMW DISPLAY KEY

* Available as optional equipment.



PASSION KNOWS NO LIMIT. THOSE ON A MISSION KNOW THE FEELING.
THE INFINITE PURSUIT OF A NEW EXPERIENCE. THE NEED TO EXPLORE THE UNFAMILIAR.
THE WANT TO ERASE IMAGINARY BOUNDARIES. FOR THERE'S NO JOY GREATER THAN
DISCOVERING. SO CHASE A HIGHER WAVE. SEEK A NEW SUN. REACH A FAR-OFF LAND.
KEEP MOVING. **THE ALL-NEW BMW X3. ON A MISSION.**

MORE POWER FROM LESS FUEL.

The **BMW TwinPower Turbo engines** offer the greatest possible dynamic performance and efficiency thanks to the newest injection systems, variable output control and sophisticated turbocharger technology. The engines from the BMW EfficientDynamics engine family allow markedly more agile power delivery and outstanding responsiveness even at low rpms, while being fuel-efficient and low in emissions.

MORE SPEED, LESS WEIGHT.

Lower weight with intelligent lightweight construction. Special consideration for every last detail – intelligent lightweight construction means that the optimal material is found and implemented for each part of the vehicle. With extremely light high-tech materials such as aluminium, **BMW EfficientLightweight** is pursuing the goal of minimising vehicle weight. That leads to even more dynamic performance, increased stability and heightened vehicle safety and comfort.



AERODYNAMICS.

With targeted measures focusing on Aerodynamics, BMW has optimised drag coefficient and efficiency as well as interior acoustics. Fuel consumption has also been reduced. The Active air stream kidney grille, the Air curtain on the front wheels and the Aero wheels are all targeted and detailed measures to further reduce air resistance.

**DRIVING EXPERIENCE CONTROL
INCL. ADAPTIVE MODE¹
INCL. ECO PRO.**

The Driving Experience Control offers the driver the choice between the standard COMFORT Mode, ECO PRO Mode, geared towards efficiency, and SPORT Mode, which enables even more dynamic driving. The new interactive function Adaptive Mode continuously adjusts the Dynamic Damper Control, the steering and the Steptronic transmission to suit the current driving situation.

IN THE ALL-NEW BMW X3.



BMW X3 xDrive20d

- BMW TwinPower Turbo four-cylinder diesel engine with 140kW (190hp) and 400Nm of torque
- Acceleration 0–100km/h: 8.0s;
- Top speed: 213km/h
- Fuel economy km/l: 16.04²
- CO₂ emissions g/km: 165.0²

¹ Available only in select variant.

² Performance data as measured in the emission test done under controlled conditions of environment, driving cycle, fuel, etc. as specified in Rule 115 of Central Motor Vehicle Rules, 1989.



Park Assistant¹: The park assistant facilitates manoeuvring into parallel and lateral parking spaces. For this purpose, the system measures potential parking spaces while driving by at speeds below approx. 35 km/h even without prior activation.



Preparation for **Apple CarPlay^{2,3}** supports the convenient and wireless use of selected iPhone® functions in the vehicle. This allows smartphone content and functions such as music, iMessages/text messages, telephony, Siri and selected third-party apps to be displayed and operated via the vehicle's user interface and via voice control.



The newly developed interface design of **Navigation System Professional** makes using the constantly expanding function of the infotainment system in the all-new BMW X3 easier, more lucid and intuitive. The 26 cm (10.25") LCD display has Touch functionality, configurable home screen, 3D Maps and can also be operated through iDrive Touch Controller.



The **BMW Display Key** shows various information about the vehicle's status and allows selected functions to be controlled with an integrated touch display.

¹ The image shown is for illustration purpose only. The scope of the assistance feature is within defined system limits. It remains the responsibility of the respective driver to react to the actual traffic situation.

² Apps available on Apple CarPlay is dependent on country specific offer by Apple.

³ The compatibility and range of functions from Apple CarPlay® depend on the model year and the software installed on the iPhone®. When the Apple CarPlay® preparation is used, selected vehicle data is transferred to the phone. The mobile phone manufacturer is responsible for further data processing.



The **8-Speed Steptronic Sport transmission** offers incredibly sporty gear changes. The engine is mated to 8-Speed Steptronic Sport transmission which not only helps in bringing more efficiency but also reducing fuel consumption.

The **Dynamic Damper Control** makes it possible to adjust the damper characteristics to suit any given driving situation, increasing roll comfort and driving dynamics. Electronically controlled dampers adapt the damper response to the road surface and driving conditions.

The **Hill Descent Control (HDC)** in the all-new BMW X3, is a system which, when activated, ensures that the vehicle can master the steepest downhill runs automatically and safely at just above walking pace, without the driver having to brake.



Dynamic Stability Control (DSC) permanently assesses the vehicle's movements and stabilises it using engine and braking regulation when unstable driving conditions are detected. Additional features of DSC are, for example, brake drying, braking readiness or the Hill-Start assistant, which holds the vehicle briefly in place when starting on inclines to prevent it from rolling backwards.



The extremely torsionally stiff but **light body construction** provides the basis for sporty driving dynamics, high precision steering and agility. Additionally, it offers passengers the best possible all-round protection.



With the **fully adaptive LED headlights**, not only does the outer light move with the steering but also the 4 source LED (low and high beam) including DRL's which distinguishes the look of the all-new BMW X3 both at night and during daytime.



Exterior equipment:

- LED headlights with cornering lights
- Side window surrounds and window recess finisher in satinated Aluminium
- Acoustic comfort glazing
- Aluminium Roof rails
- Twin exhaust tailpipe (R+L) in Chrome
- xDrive badging on front fenders, including "X" badging on B pillar
- 18" light alloy wheels Turbine styling 689

Interior equipment:

- 8-Speed Automatic Steptronic transmission
- Radio BMW Professional with 6.5" screen
- Sport leather multifunction steering wheel
- Galvanic embellish in Chrome for controls
- Panoramic Sunroof
- Automatic air-conditioning with 3-zone control
- Ambient lighting with Welcome Carpet
- Automatic Operational Tailgate
- Park Distance Control (F+R)
- Seats in leatherette
- Interior Trim Black high-gloss with trim finisher in Chrome



Luxury Line exterior equipment:

- Luxury Line package
 - BMW Active air stream kidney grille with seven exclusively designed vertical slats and Grille frame in Chrome
 - Front bumper with specific design elements in Chrome
 - Trim element Air Breather with design elements in Chrome
 - Side window surrounds and window recess finisher in Chrome
 - Mirror base and mirror foot in Black high-gloss
 - Side skirt trim in Frozen Grey with accent in Chrome
 - Underbody protection front and rear in Frozen Grey Matt with accent in Chrome
- Fully Adaptive LED Headlamps
- LED fog lights
- Twin exhaust tailpipe (R+L) in Chrome
- LED Tail Lamps
- Acoustic comfort glazing
- Aluminium Roof rails
- xDrive badging on front fenders, including "X" badging on B pillar
- 19" light alloy wheels Double-spoke style 696

Luxury Line interior equipment:

- 8-Speed Automatic Steptronic transmission with paddle shifts
- Harman Kardon with 600 Watt output
- Dynamic Damper Control
- Wireless Charging
- Navigation System Professional with 10.25" screen and Touch Functionality
- Luxury Line package
 - Front door sill finishers in aluminium with "BMW Luxury Line" lettering
 - Seats in Leather 'Vernasca'
 - Sport leather multifunction steering wheel
 - Interior trim finishers in Fine-wood trim poplar grain grey with accent in Pearl Chrome
- Galvanic embellish in Chrome for controls
- Instrument panel in Sensatec
- Panoramic Sunroof
- Automatic air-conditioning with 3-zone control
- Ambient lighting with Welcome Carpet
- Automatic Operational Tailgate
- Rear-view Camera with Park Assist
- Rear-seat backrest adjustment
- Apple CarPlay®



EQUIPMENT HIGHLIGHTS.



The Adaptive LED headlights include low-beam and high-beam headlights and turn indicators with full LED technology. The equipment also features BMW Selective Beam, cornering lights, daytime running lights and Adaptive headlights with variable light control for excellent illumination of the road ahead and better visibility in the dark.



Telephony with wireless charging¹ offers a comprehensive telephony package with Bluetooth connectivity.



Ambient light, including Ambient contour lighting in the front and rear doors, creates a relaxed lighting atmosphere in the interior. The Welcome Light Carpet illuminates the area in front of the car doors when entering and exiting. Six dimmable light designs in White, Blue, Orange, Bronze, Lilac and Green are available.



The Multifunction instrument display offers an impressive presentation of the gauges and other instruments.



Sculptural, three-dimensional full LED rear lights.



Seats in leather 'Vernasca'



Remote backrest unlocking for the rear seats allows the rear seat backrests to be unlocked and folded down conveniently via a button in the luggage compartment.



Rear-seat backrests divisible in a 40:20:40 ratio ensures flexibility when transporting people, luggage and other various items. Even backrest angle can be adjusted by 9 degrees using the lever on the right or left seat in the rear.

¹ Supports inductive charging for Qi-compatible mobile phones. Special charging cases are available from Original BMW Accessories for selected smartphones that do not support the Qi standard for inductive charging.



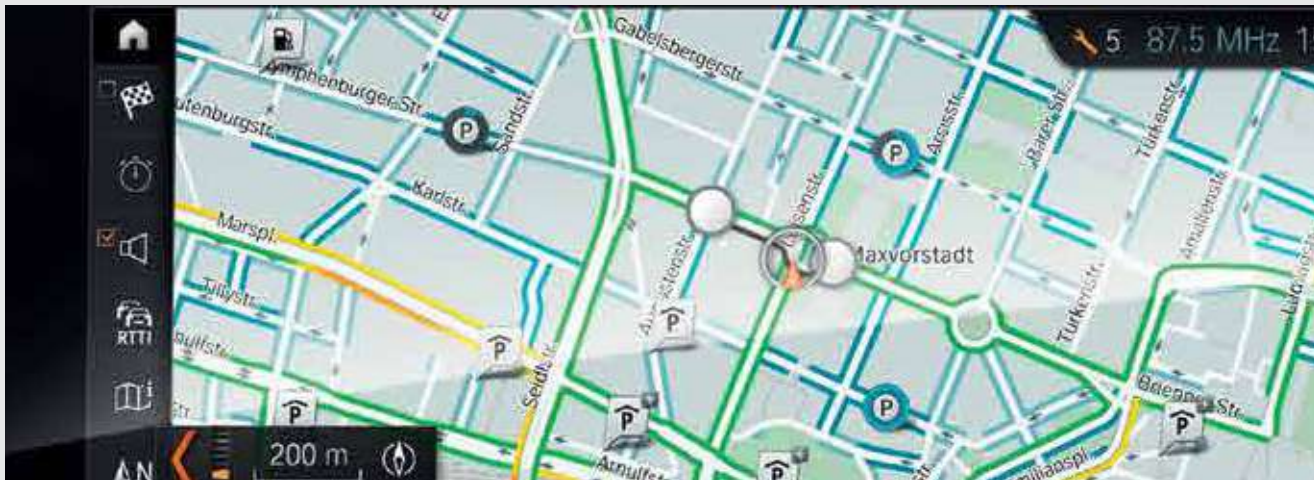
The Instrument panel in Sensatec lends the interior of the vehicle a highly exclusive atmosphere. The artificial leather is applied directly to a semi-rigid foam, and features an impressively soft surface. The wear-resistant material around the door panels on the front and rear features attractive double-lap seams.



Automatic air conditioning with three-zone control includes Automatic Air Recirculation (AAR) with a micro active carbon filter, as well as fogging and solar sensors.



Exclusive galvanic embellishers for controls such as the Start/Stop button, along with volume and temperature dials, lend a particularly high-quality look.



The newly developed interface design of Navigation System Professional makes using the constantly expanding function of the infotainment system in the all-new BMW X3 easier, more lucid and intuitive. The 26 cm (10.25") LCD display has Touch Functionality, configurable home screen, 3D Maps and can also be operated through iDrive Touch Controller.



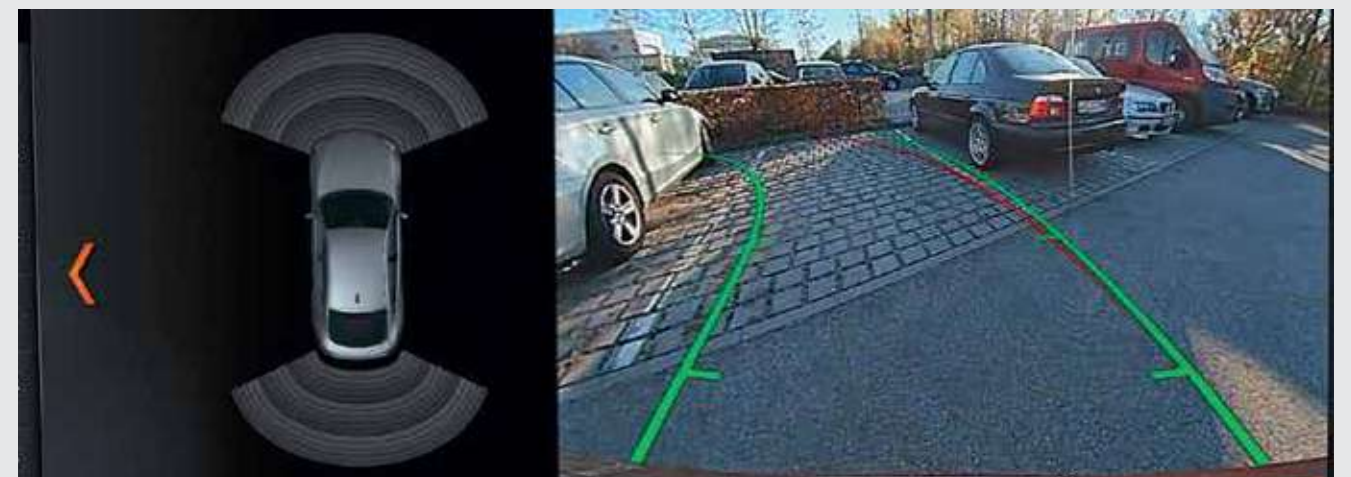
Harman Kardon surround sound system with 600 watt digital amplifier, vehicle-specific equalising and loudspeakers with chrome detailing.



The BMW Display Key shows various information about the vehicle's status and allows selected functions to be controlled with an integrated touch display.



Preparation for Apple CarPlay¹, ² supports the convenient and wireless use of selected iPhone[®] functions in the vehicle. This allows smartphone content and functions such as music, iMessages/text messages, telephony, Siri and selected third-party apps to be displayed and operated via the vehicle's user interface and via Voice control.



Rear View Camera with Park Assist³ - Camera and ultrasound-based parking assistance system.

¹ Apps available on Apple CarPlay[®] is dependent on country specific offer by Apple.

² The compatibility and range of functions from Apple CarPlay[®] depend on the model year and the software installed on the iPhone[®]. When the Apple CarPlay[®] preparation is used, selected vehicle data is transferred to the phone. The mobile phone manufacturer is responsible for further data processing.

³ The scope of the assistance feature is within defined system limits. It remains the responsibility of the respective driver to react to the actual traffic situation.

The images shown here are representative of equipment offered as individual features and are specific to every BMW. Depending on the model, the Control Display and presentation of content may differ.



ORIGINAL BMW ACCESSORIES.



AS A PROUD BMW OWNER, ACCESSORIES ARE CUSTOMISED TO YOUR OWN INDIVIDUAL TASTE. NOW YOU CAN FURTHER ENHANCE YOUR DRIVING PLEASURE WITH ORIGINAL BMW ACCESSORIES AND PERSONALISE YOUR BMW X3 FOR A GREATER LEVEL OF LUXURY. CHOOSE FROM OUR WIDE RANGE OF ACCESSORIES SPECIALLY DESIGNED FOR THE INTERIOR, EXTERIOR, ENTERTAINMENT, CONNECTIVITY, TRAVEL AND COMFORT TO SUIT YOUR INDIVIDUAL NEEDS.

WHEELS AND TYRES.



20" BMW V-Speiche



20" BMW LA wheel Y spoke



19" BMW Doppelspeiche



18" BMW Doppelspeiche



18" BMW LM Rad Turbinenstyling

UNIVERSAL ACCESSORIES.



BMW Leather Key Case. The perfectly fitted key case, made from high-quality leather, is fixed to the key with a stylish metal clasp. It protects against scratches, dirt and moisture and protects buttons from accidental usage.



BMW LED Door Projectors. The innovative door projectors are automatically activated when the doors are opened. They project an image onto the ground next to the car using an interchangeable slide.



All-weather floor mats. Precisely fitting protection against moisture and dirt in the front footwells. In black and with a stainless steel X3 inlay, the mats are a perfect match with the interior.



Fitted Luggage Compartment Mat. The anti-slip, waterproof and durable mat with a border helps protect the luggage compartment.



Child Seat Underlay and Backrest Cover. Foam padding made of high-quality, robust polyester fabric to protect the seat from soiling and pressure marks. Wipe with a damp cloth to clean. Including backrest cover. Quick and stable attachment.



BMW Spectacle Case. The Spectacle Case with BMW designation keeps glasses stowed safely and easily within reach.



Travel & Comfort System – Universal Cradle.¹



BMW Baby Seat Group 0+. The BMW Baby Seat Group 0+ with a five-point belt offers unsurpassed safety and comfort for babies up to approx. 13 kg (approx. 15 months old).



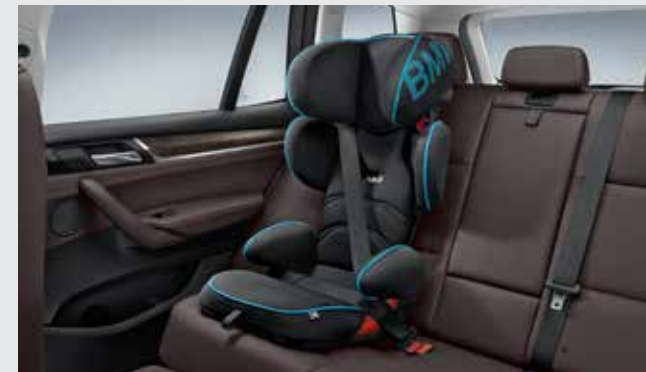
BMW Junior Seat Group 1. The BMW Junior Seat Group 1 is the safe choice for children from approx. 12 months to 4 years old (approx. 9–18 kg).



Travel & Comfort System – Base Carrier. Provides an option to attach clothes hangers, a folding table, universal hooks or holders for GoPro cameras, iPads™ or Samsung Galaxy Tabs to the front seat headrest.



Travel & Comfort System – Clothes Hanger.¹ The Travel & Comfort System clothes hanger in an attractive BMW design makes it possible to hang pieces of clothing on the rear side of the backrest.



BMW Junior Seat Group 2/3. The BMW Junior Seat Group 2/3 can be adjusted as the child grows and offers maximum safety and comfort for children aged approx. 3 to 12 years (approx. 15–36 kg).



The Travel Set. Includes a carry-on sized trolley suitcase and a carry bag that helps to create extra storage space in the rear seat. The luggage can be transported individually or stacked and secured with the safety belts. This feature locks to prevent theft.

¹Only in conjunction with base carrier.

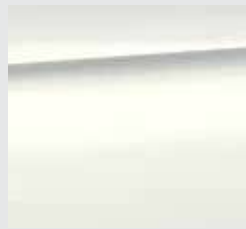
THE ART OF CAR CARE.



BMW Car Care Chemical Products are the BMW approved car cleaning products. Designed to keep your BMW in mint condition from the interior as well as the exterior. They also provide a protective shield against environmental conditions and preserve the high-quality finish of your vehicle.

EXTERIOR COLOURS.

INTERIOR COLOURS.



Mineral White.



Sophisto Grey brilliant effect.

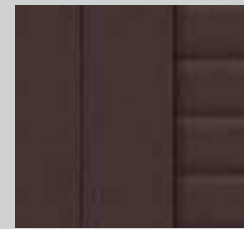


Black Sapphire.

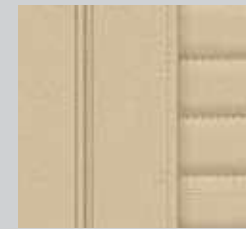


Phytonic Blue.

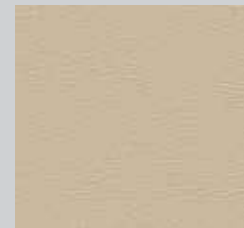
UPHOLSTERY



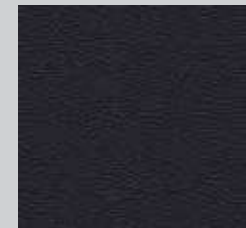
Leather 'Vernasca'
Mocha with decorative stitching, interior colour Black.



Leather 'Vernasca'
Canberra Beige with decorative stitching, interior colour Black.



Leatherette
Canberra Beige | Black

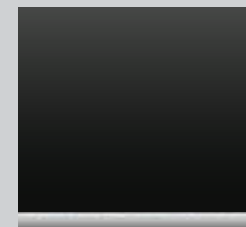


Leatherette
Black | Black

INTERIOR TRIM



Fine-wood trim poplar grain grey with highlight trim finisher Pearl Chrome.



Interior Trim finisher Black high gloss with highlight trim finisher in Pearl Chrome.

WHEEL



18" Light alloy wheel turbine style 689

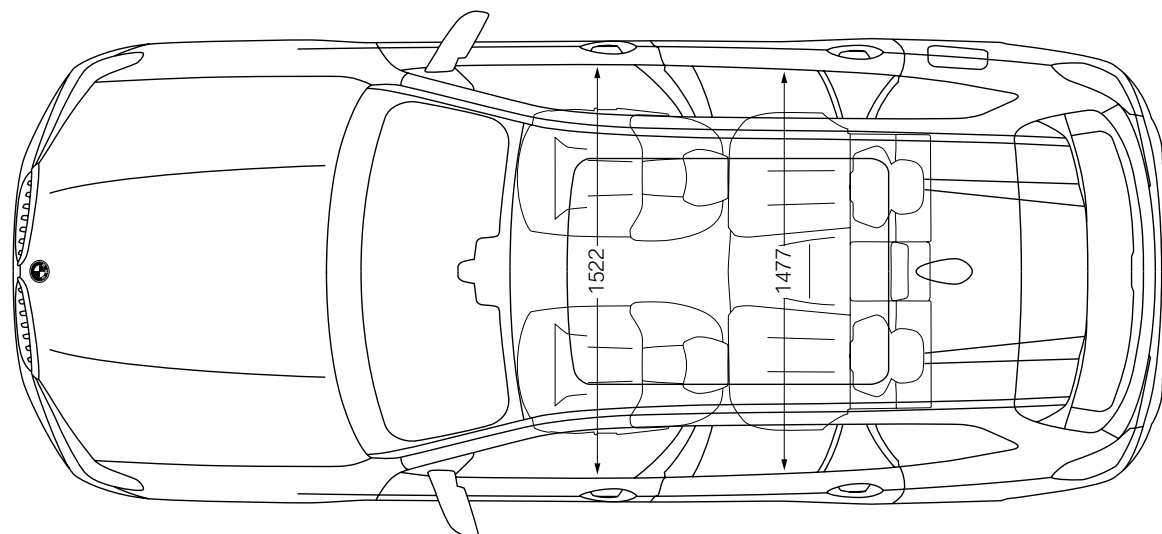
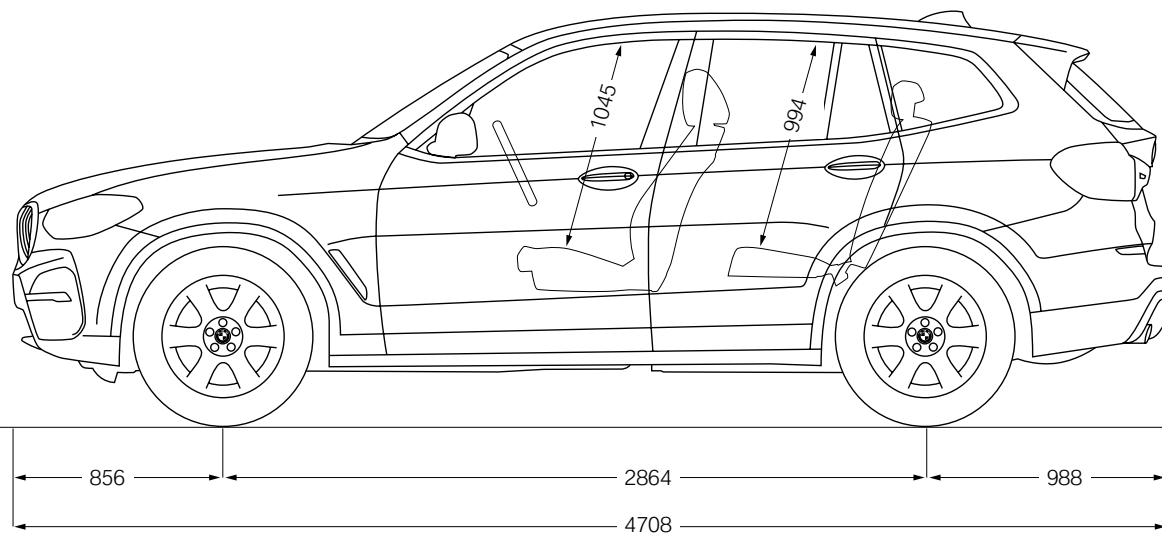
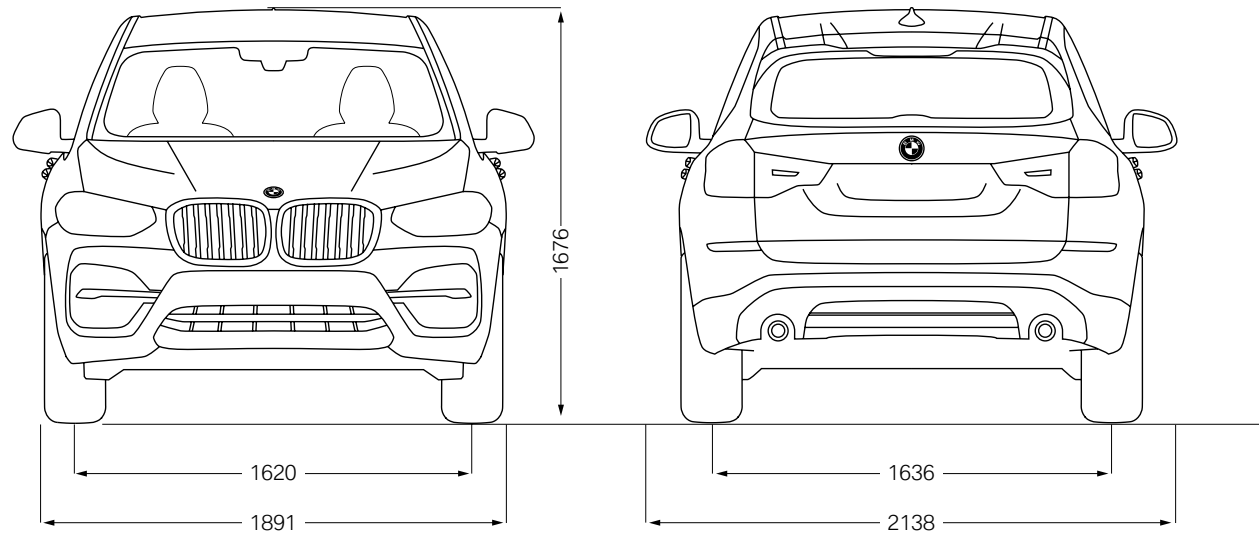


19" Light alloy wheel double spoke style 696

[Colours] The colours printed above are intended to provide you with a first impression of paints and materials available for your BMW. Experience has shown, however, that printed images of paint, upholstery and interior trim colours cannot faithfully reproduce the actual

appearance of the originals. We recommend therefore that you consult your BMW partner who will be able to show you original samples and assist with special requests.

DIMENSIONS.





A BMW will run well when it's kept well. And to make your journey one with complete peace of mind, we have packages under BMW Service and Repair Inclusive that take care of maintenance, inspection, wear and tear and warranty.

BMW Service Inclusive (BSI)

A single up-front payment covers an extensive range of work on your BMW for a fixed period.

Completely Transparent.

Integrate the cost of service work in your leasing and finance installments.

Fully Flexible.

You have a choice of various packages with different durations and mileage. You can choose from 3 years with 40,000 km to 10 years with 200,000 km.

Easily Transferable.

Consistent maintenance by trained BMW Service staff and the use of Original BMW Parts secure the value of your car in the long term. In case you sell your car, BMW Service Inclusive is automatically transferred to the next owner – an additional selling point.

BMW Repair Inclusive (BRI)

BRI offers the ease of extending the warranty of your car with unlimited mileage up to 6 years.

BRI too is automatically transferred to the next owner in the event of selling your car.

Service Inclusive Packages		Oil Inclusive	Service Inclusive Basic	Service Inclusive Plus	Repair Inclusive
Scope of Services		Maintenance	Maintenance	Wear and Tear	Repair
	Engine oil service	✓			
	Engine oil top ups		✓	✓	
	Vehicle check and standard scopes		✓	✓	
	Service/replace air filter		✓	✓	
	Service/replace fuel filter		✓	✓	
	Service/replace micro filter		✓	✓	
	Service/replace spark plugs		✓	✓	
	Service/replace brake fluid		✓	✓	
	Replacement of front/rear brake pads			✓	
	Replacement of front/rear brake discs			✓	
	Replacement of clutch (if necessary)			✓	
	Replacement of wiper blades (once in a year)			✓	
	Extension of your statutory right to claim for vehicle defects (warranty ¹)				✓



In the world of BMW, world-class isn't limited to the vehicles we engineer. It also finds its way into the services we offer. BMW Financial Services is the most flexible and efficient way to realise your dream of owning a BMW. Our goal is to make your financing experience seamless at every step of your purchase so that nothing comes between you and the joy of driving your BMW.

At BMW Financial Services, you are assured of:

- Tailor-made finance options, as per your specific needs
- Quick approvals with fast turnaround time
- Special loyalty benefits
- Part payment facility
- In-house call centre that provides the best-in-class customer interaction

The all-new BMW X3 comes with an exclusive BMW 360° plan. It has benefits at every step of the way, all to ensure sheer driving pleasure.

Easy to Buy.

The BMW 360° programme allows you to pay low monthly installments as you only pay for what you use.

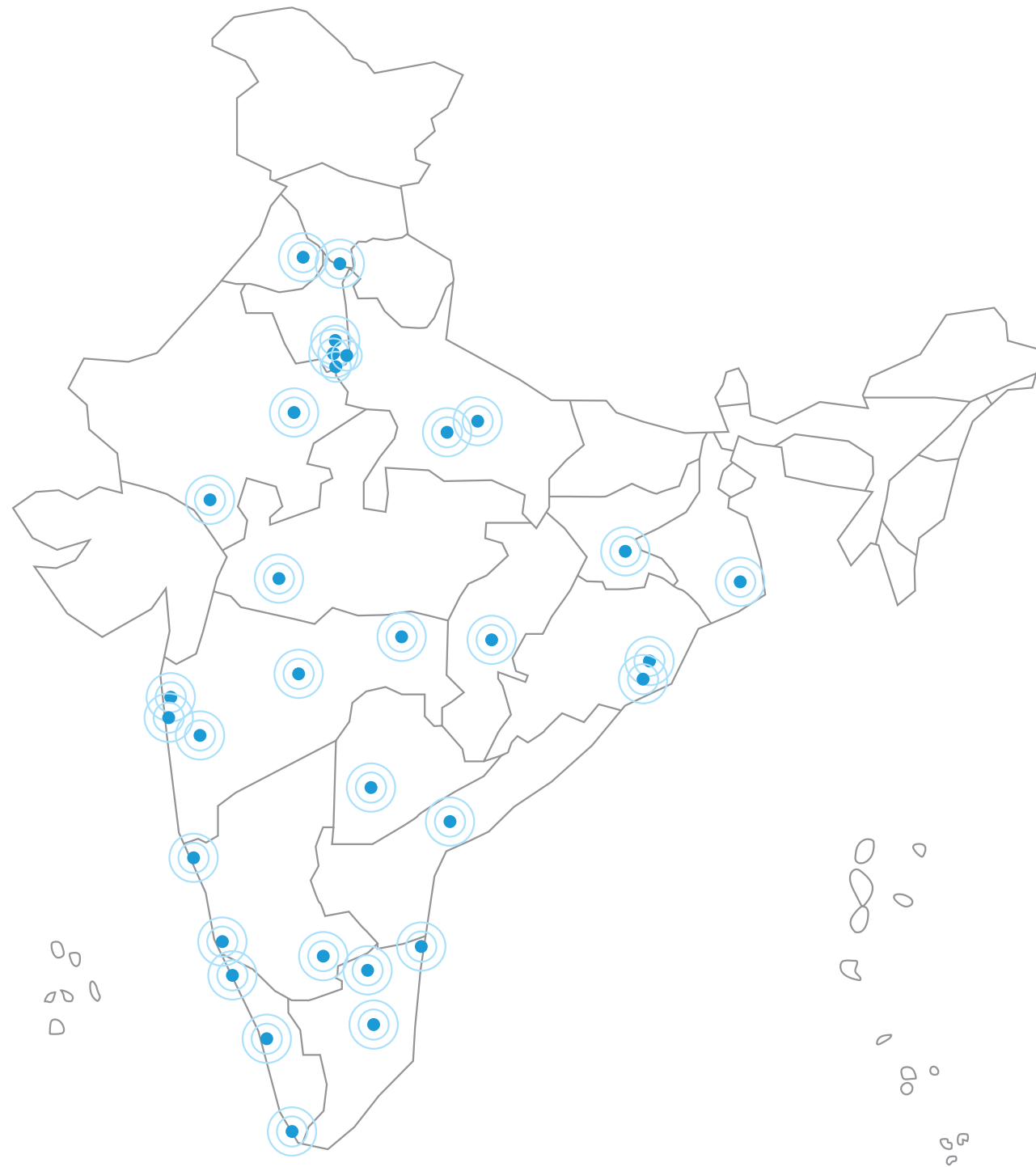
A Joy to Own.

It offers various options under service and maintenance packages which further reduce your cost of ownership.

Future Proof.

The BMW 360° programme provides assured buyback value at the end of your finance contract.

For more information, contact the Finance Manager at the Dealership.



The pictorial representation does not purport to be the political map of India.

NORTH

BMW Bird Automotive

- SW 4IDC, MG Road, Gurgaon
- S Ambience Mall, Gurgaon
- S Golf Course Road, Sector 56, Gurgaon

BMW Deutsche Motoren

- S Shivaji Marg, Moti Nagar, New Delhi
- S Mohan Cooperative, Mathura Road, New Delhi
- W Shivaji Marg, Moti Nagar, New Delhi
- SW Sector 27B, Mathura Road, Faridabad
- SW Sector 63, Noida

BMW Krishna Automobiles

- SW Industrial Phase 1, Chandigarh
- SW GT Road, Ludhiana

BMW Libra Autohaus

- S Rajouri Garden, New Delhi
- W Mayapuri, New Delhi

BMW Sanghi Classic

- SW Tonk Road, Jaipur
- S Madri Industrial Area, Udaipur

BMW Speed Motorwagen

- SW Chinhat, Lucknow
- S Kalpi Road, Kanpur

EAST

BMW OSL Prestige

- S Silver Arcade, Kolkata
- S Hotel Empires, Bhubaneswar
- W East Topsia Road, Kolkata
- W Bhanpur, Cuttack

BMW Titanium Autos

- SW Ormanjhi, Ranchi

WEST

BMW Bavaria Motors

- S Wellesley Road, Pune
- W Hadapsar, Pune
- SW Verna, Goa
- SW Chikalathana, Aurangabad

BMW Munich Motors

- SW Sarona, Raipur
- SW Hingna MIDC, Nagpur

BMW Infinity Cars

- S Worli, Mumbai
- S Nariman Point, Mumbai
- S Vashi, Navi Mumbai
- W Worli, Mumbai
- W Turbhe, Navi Mumbai
- SW Dewas Naka, Indore

BMW Navnit Motors

- S Juhu, Mumbai
- S Malad, Mumbai
- W Andheri, Mumbai
- W Gokul Nagar, Thane

SOUTH

BMW EVM Autokraft

- SW Kalamassery, Kochi

BMW KUN Exclusive

- S Khairatabad, Hyderabad
- W RTC, Cross Road, Hyderabad
- SW Mangalagiri, Vijayawada

BMW Platino Classic

- SW Maradu, Kochi
- SW Chackkai, Thiruvananthapuram
- S Vandipetta, Kannur Road, Kozhikode
- W Vandipetta, Kannur Road, Kozhikode

BMW KUN Exclusive

- S EA Mall, Chennai
- SW Meenambakkam, Chennai
- W Ambattur, Chennai
- SW Avinashi Road, Coimbatore
- SW Virudhunagar, Madurai

BMW Navnit Motors

- S Lavelle Road, Bengaluru
- W Bethahalasoor Post, Bengaluru
- SW Hosur Road, Bengaluru
- SW Kodikal, Mangaluru

- SW Showroom and Workshop
- S Showroom
- W Workshop

For precise information, visit the nearest authorised BMW Dealer.